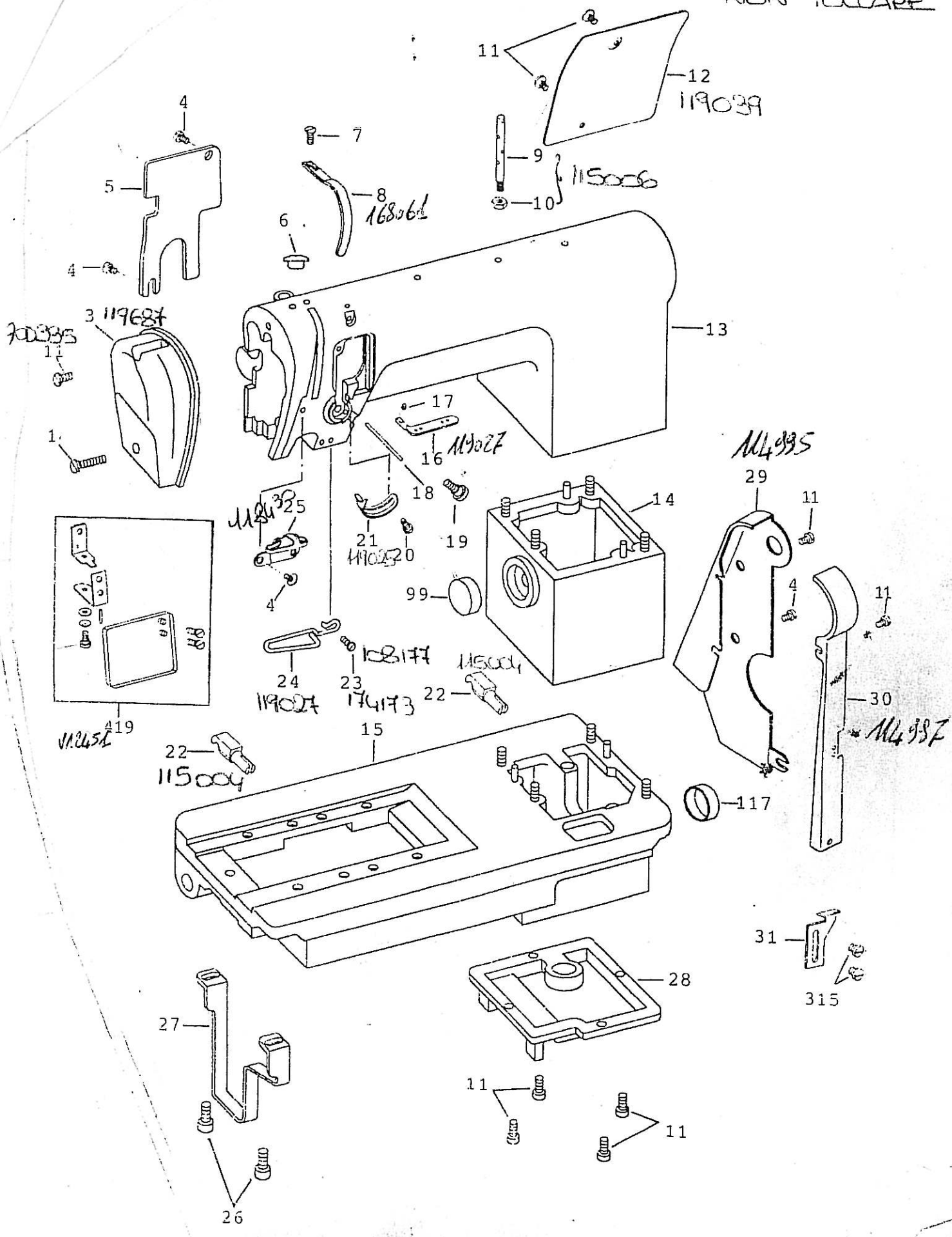
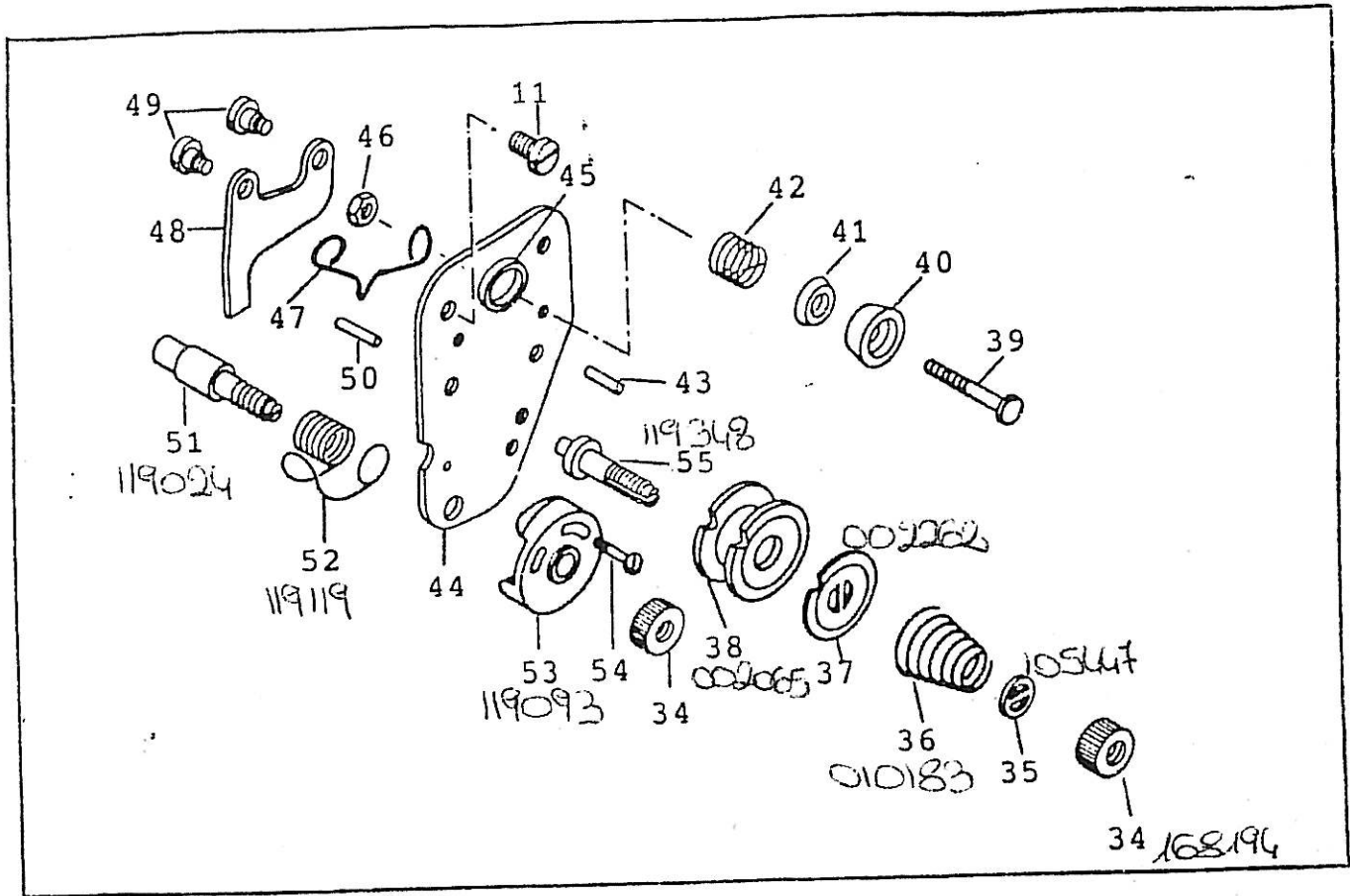


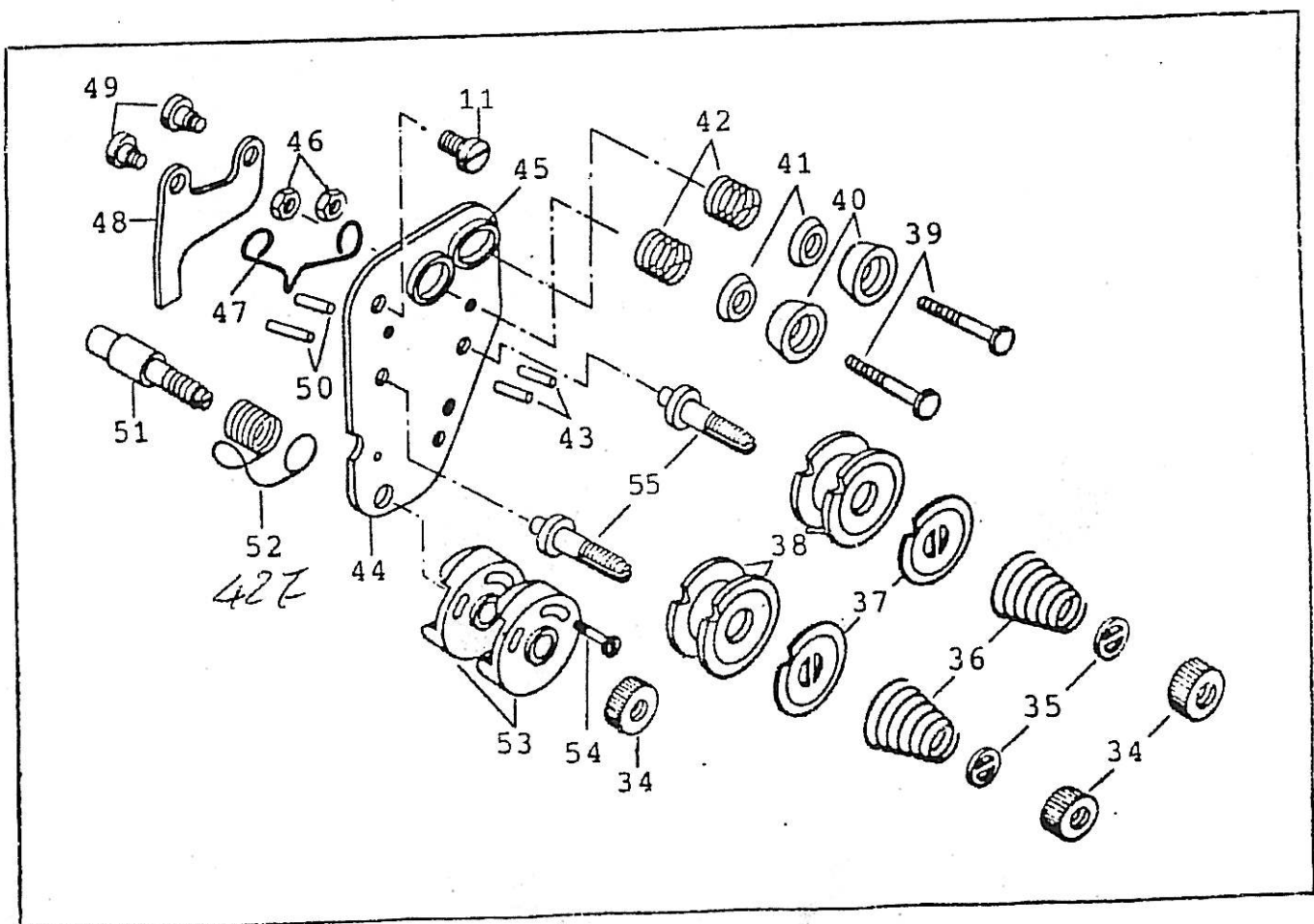
CATALOGO CONVERSIONI

NON TOCCARE

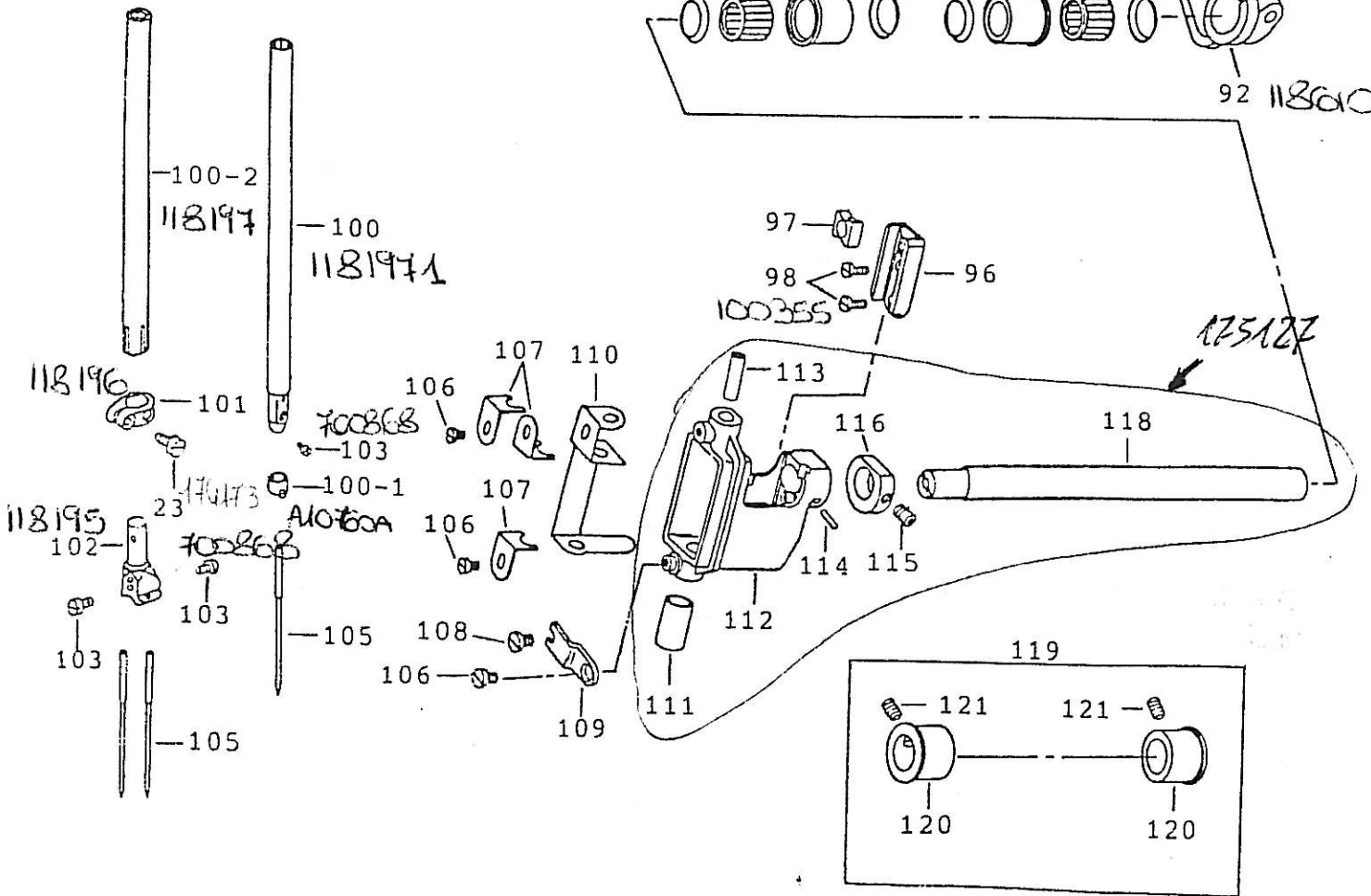
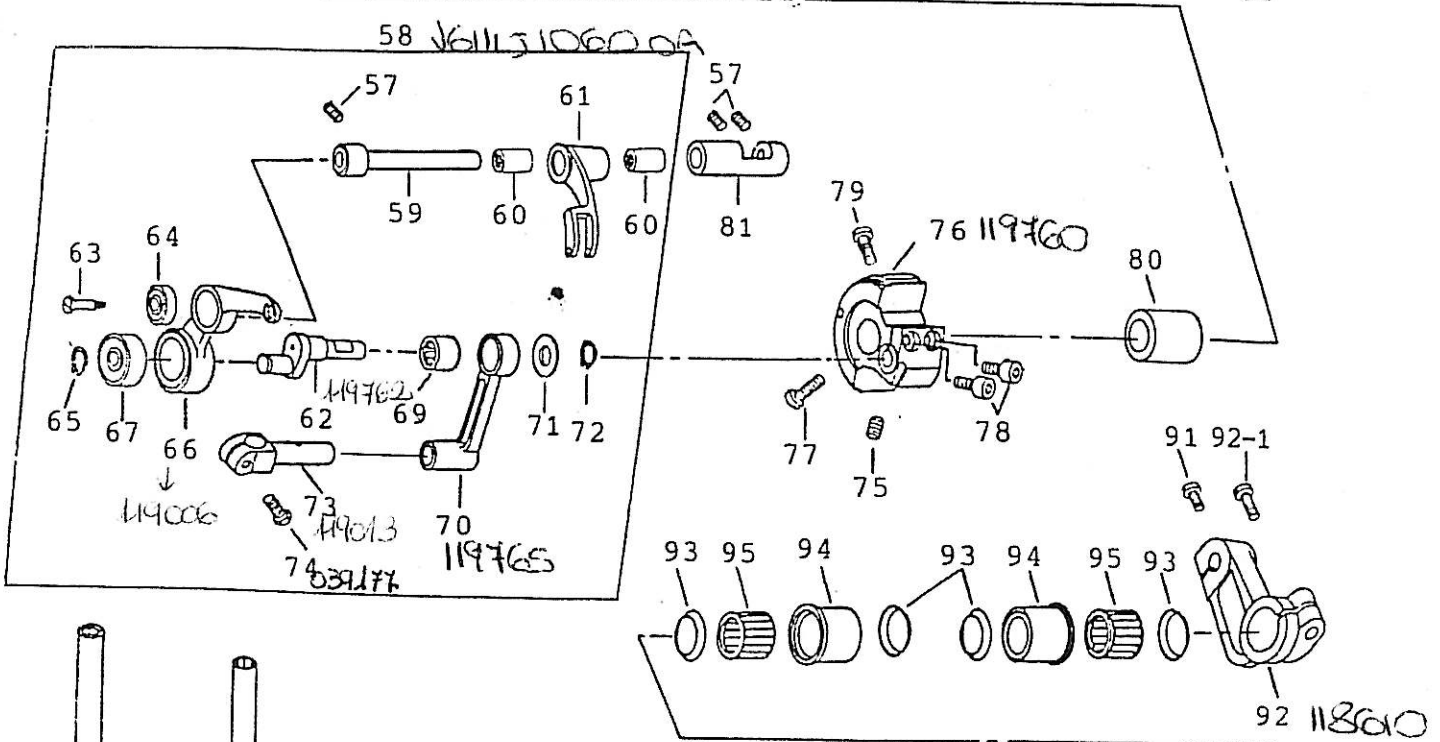
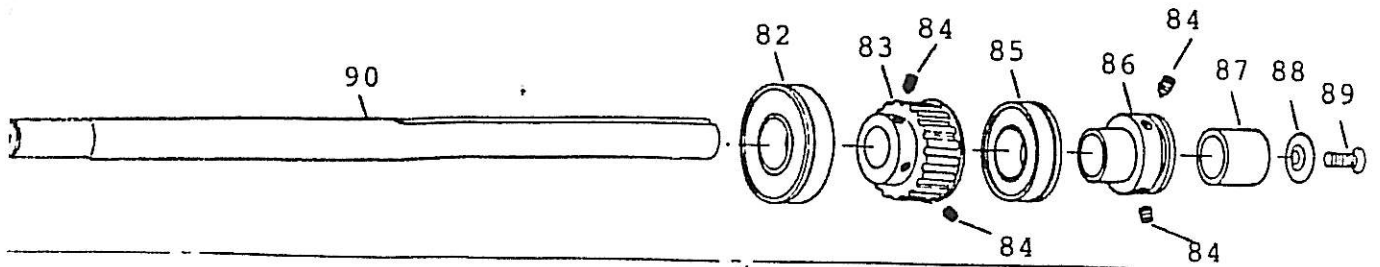




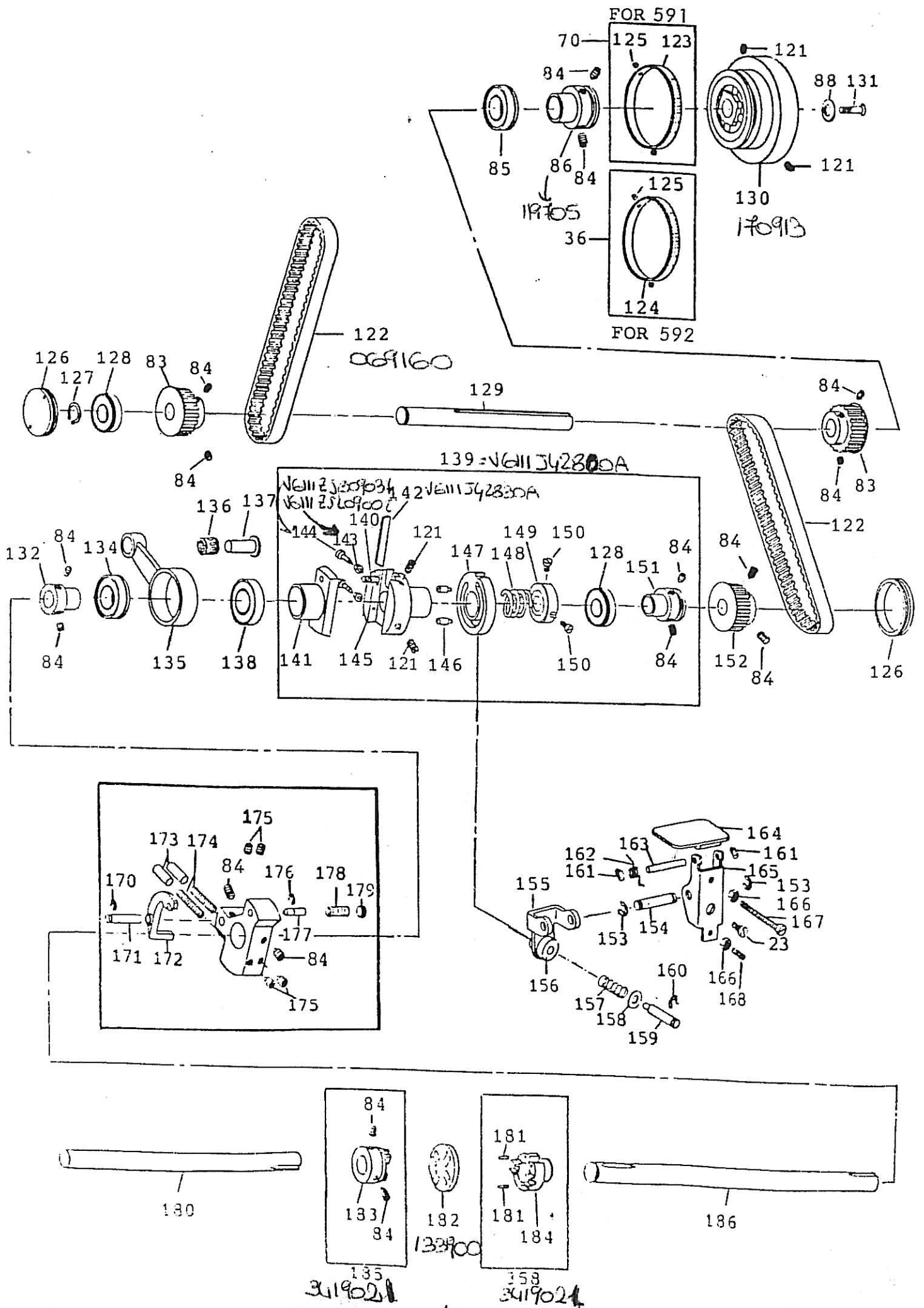
33 (FOR 591) 119005



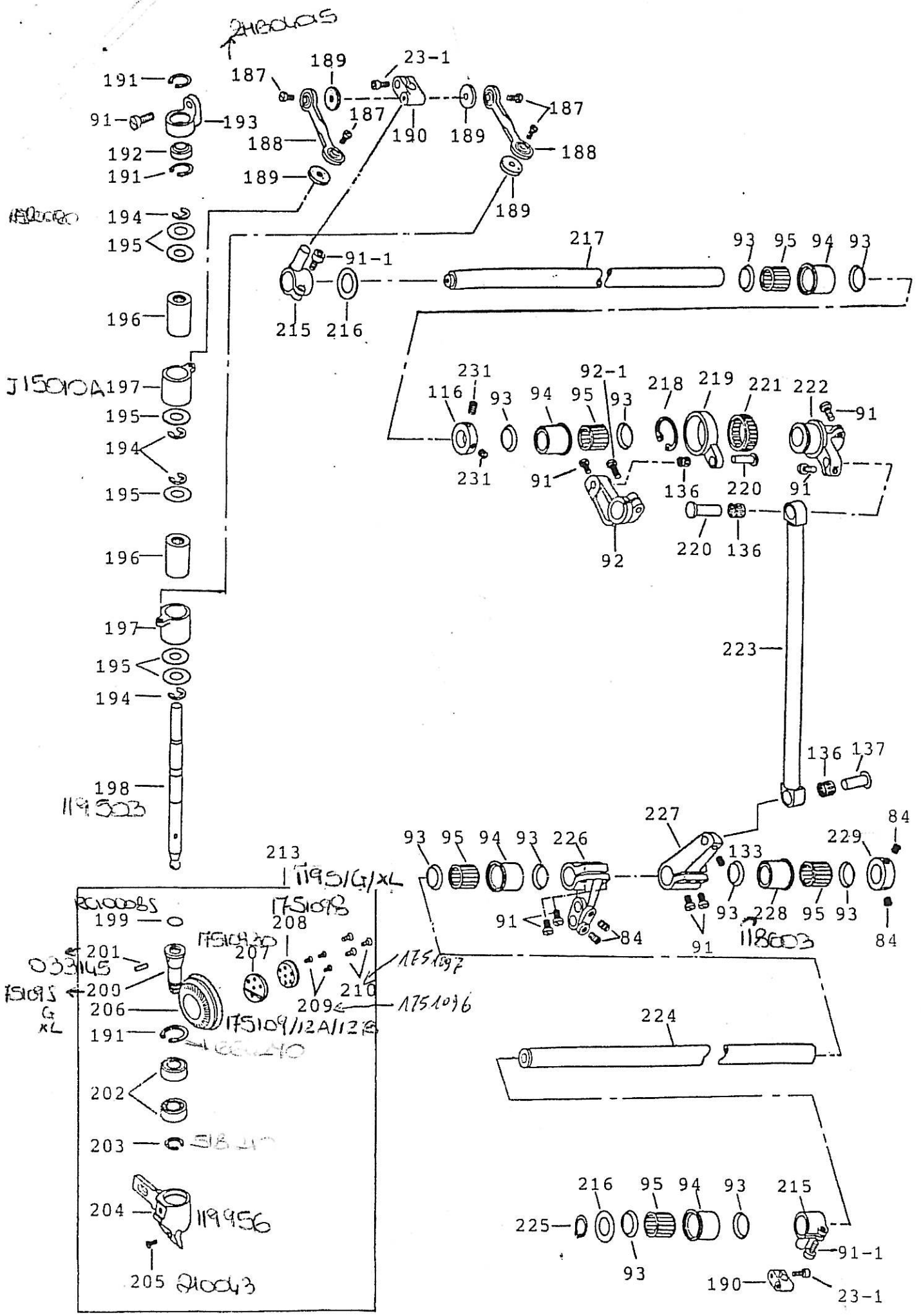
56 (FOR 592)

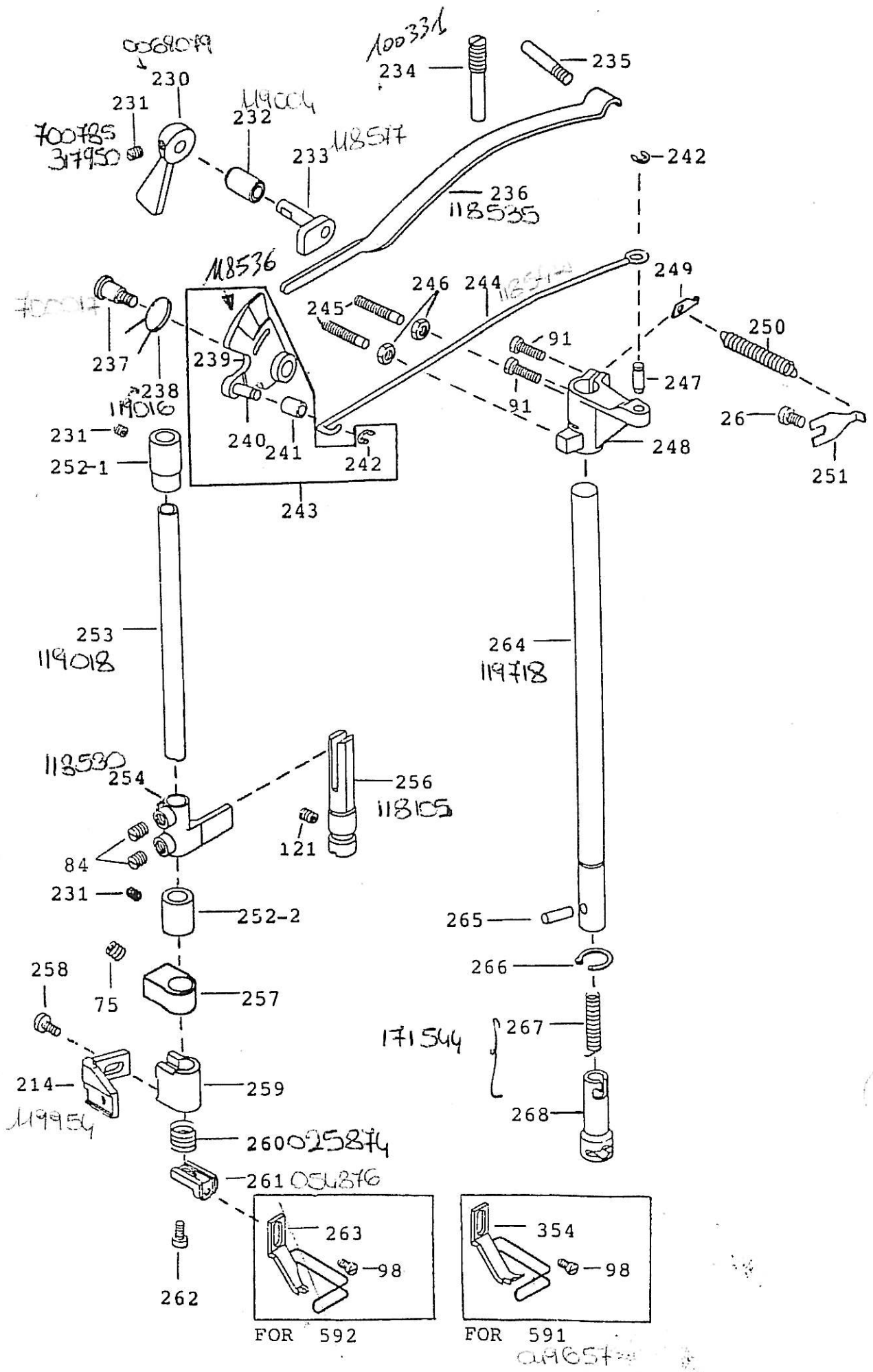


FOR 592

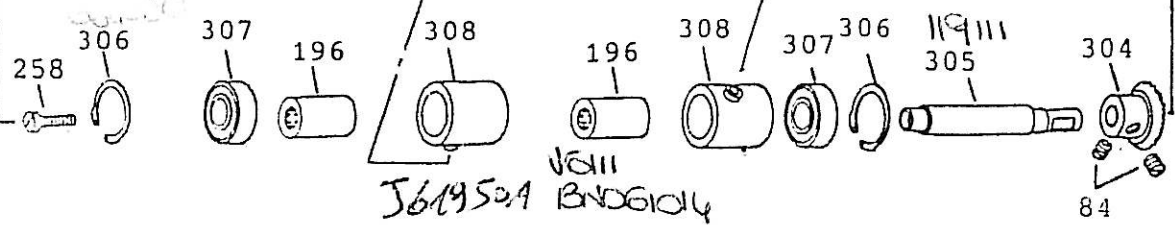
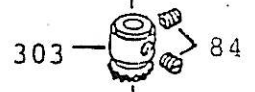
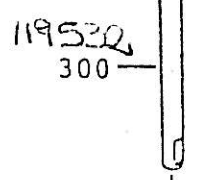
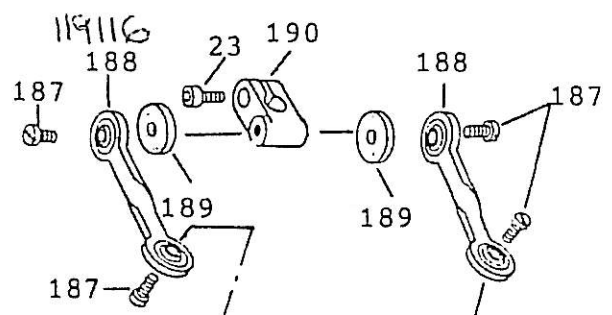
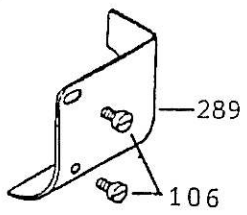
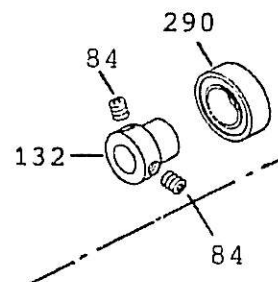
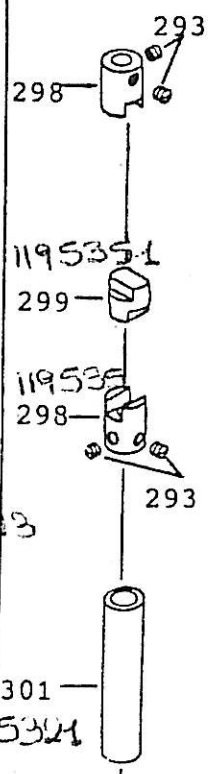
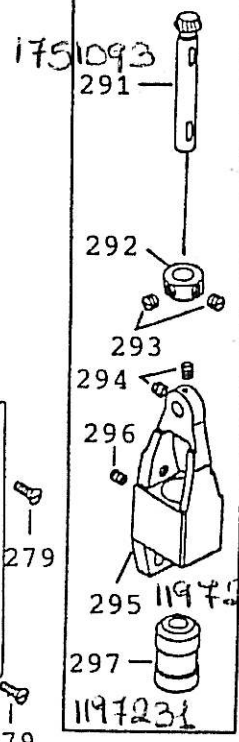
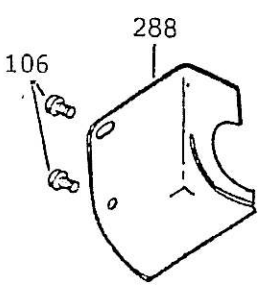
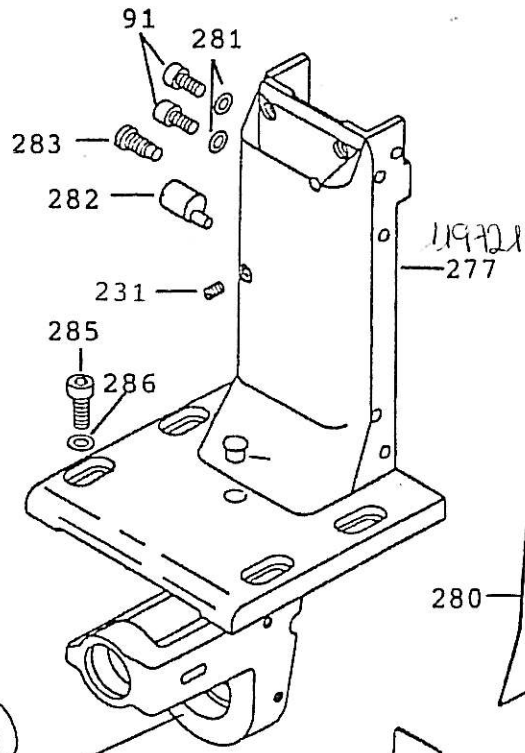
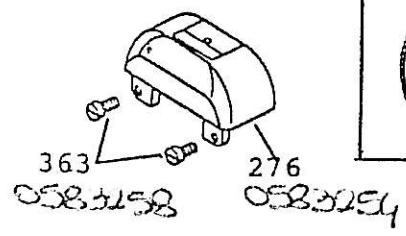
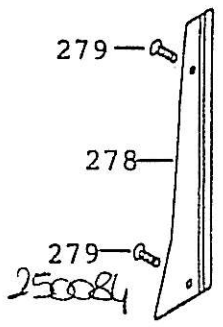
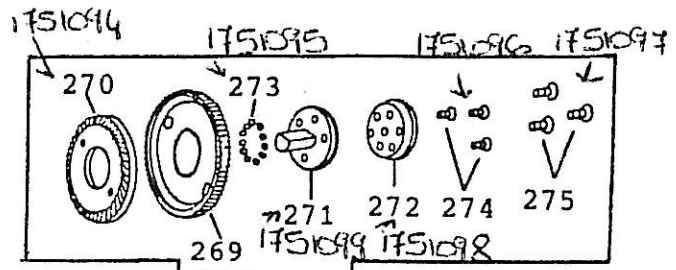


HEADS

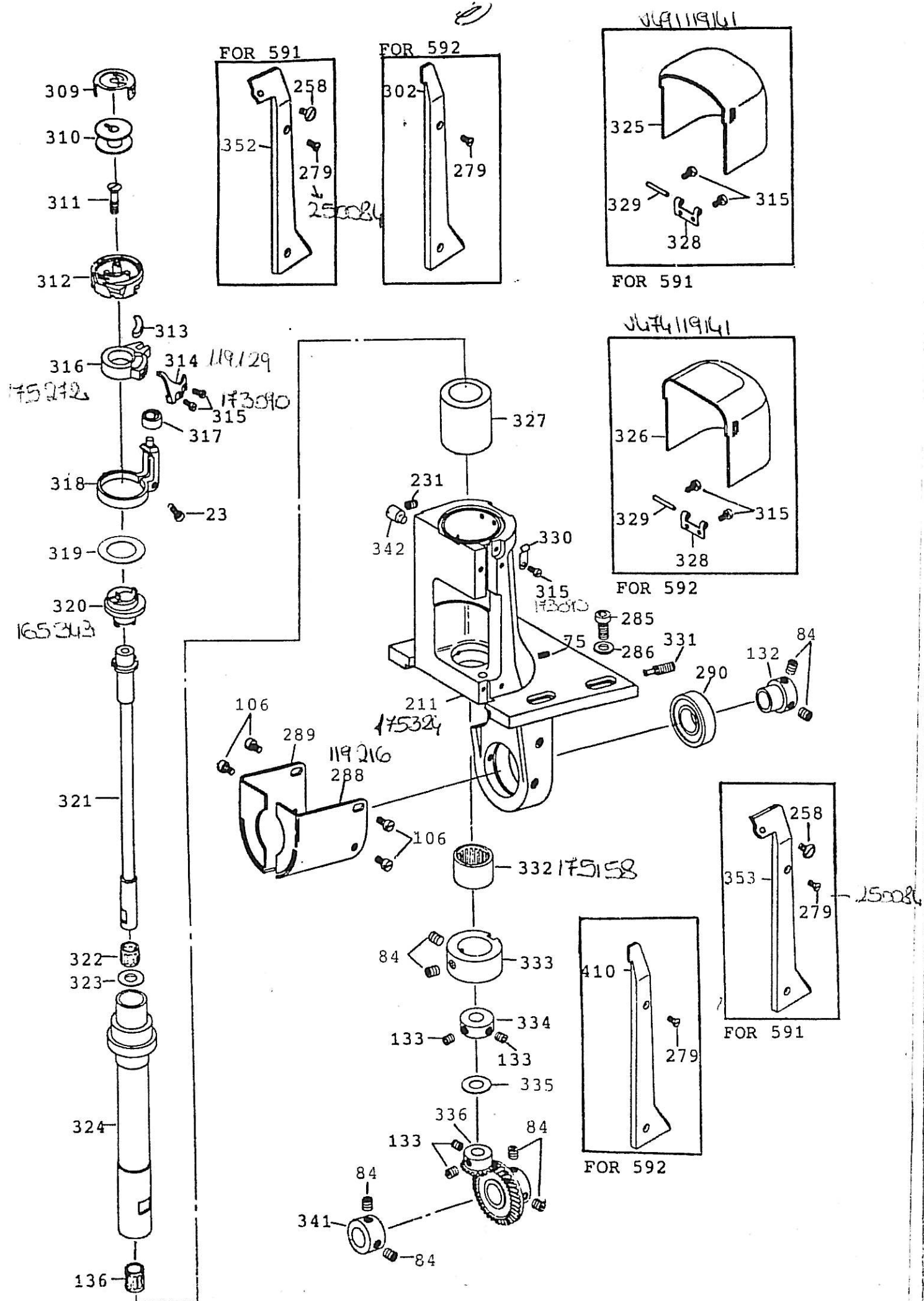




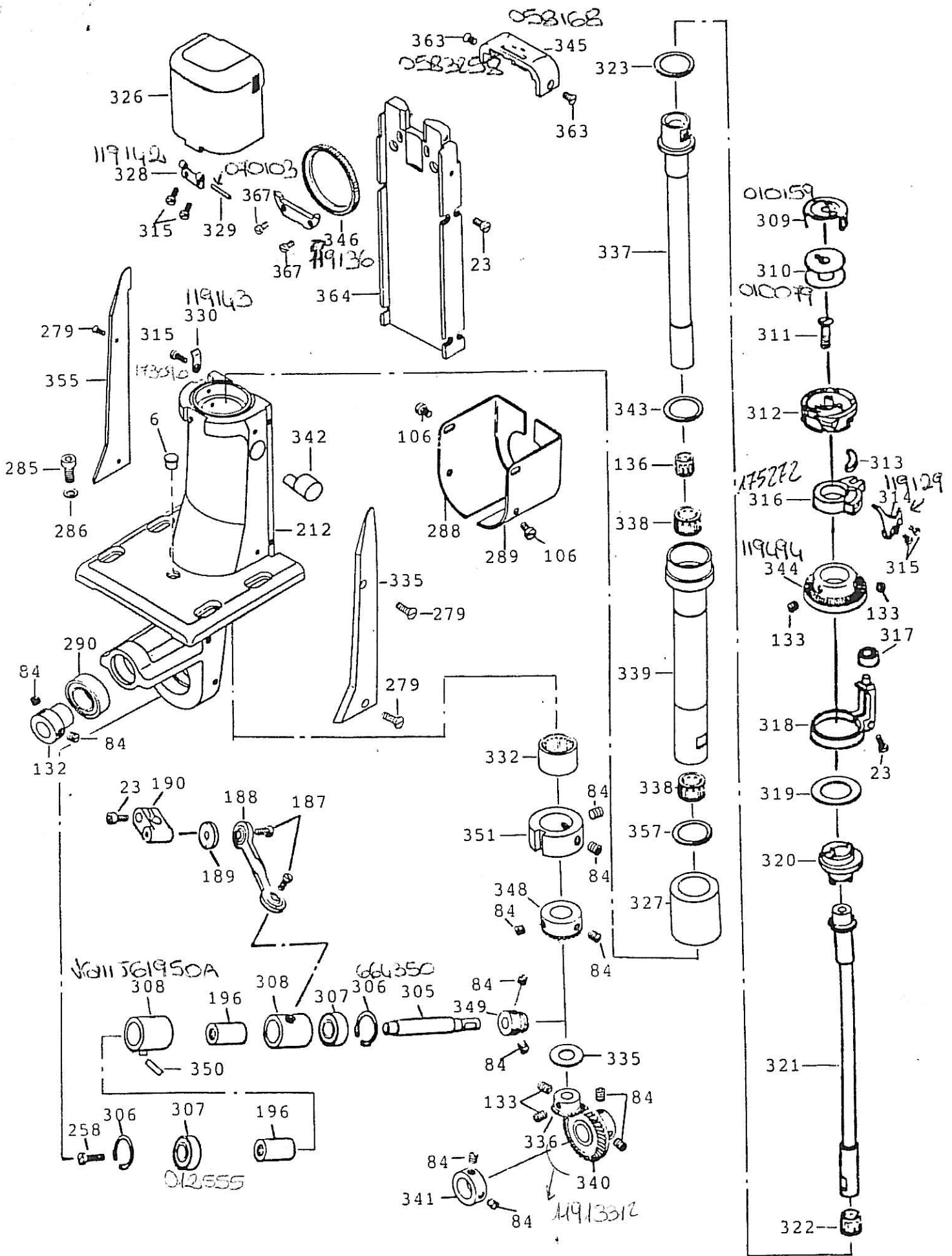
2694 270 = 119546A

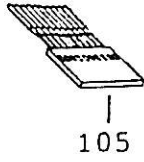
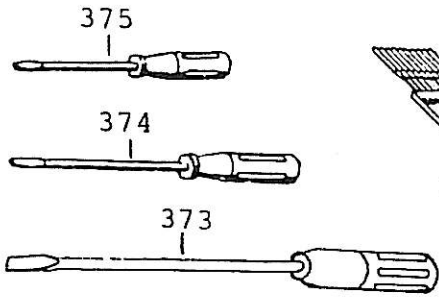


361950A Völl BNDG104

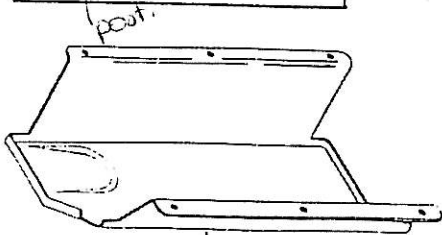
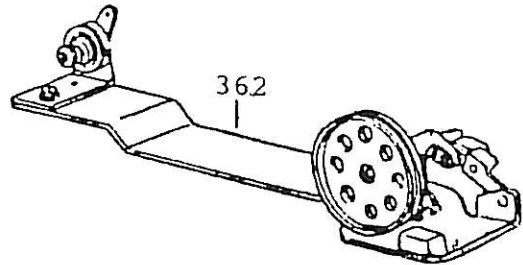
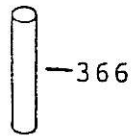
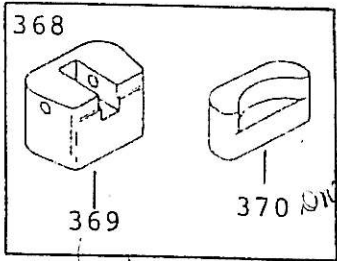
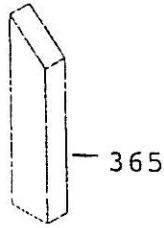
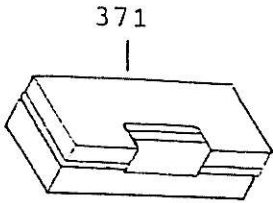
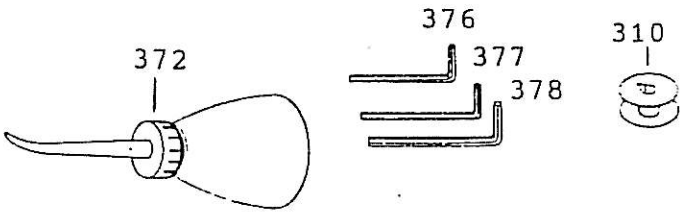
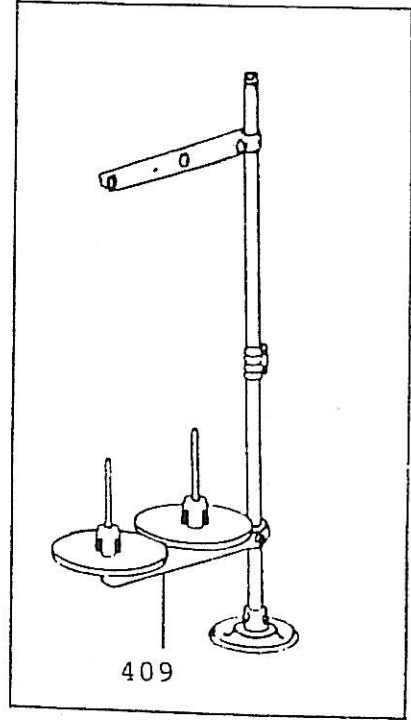




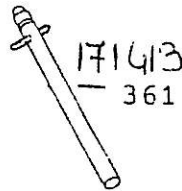




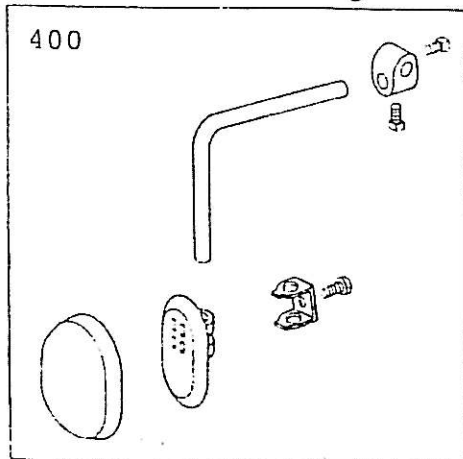
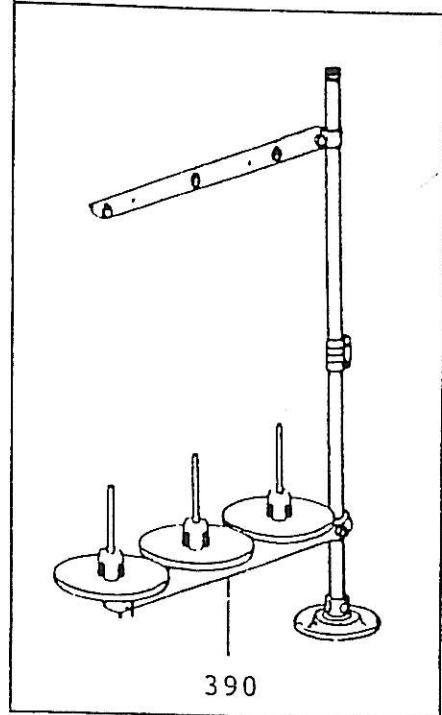
FOR 591



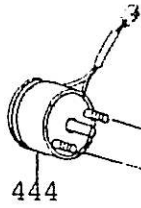
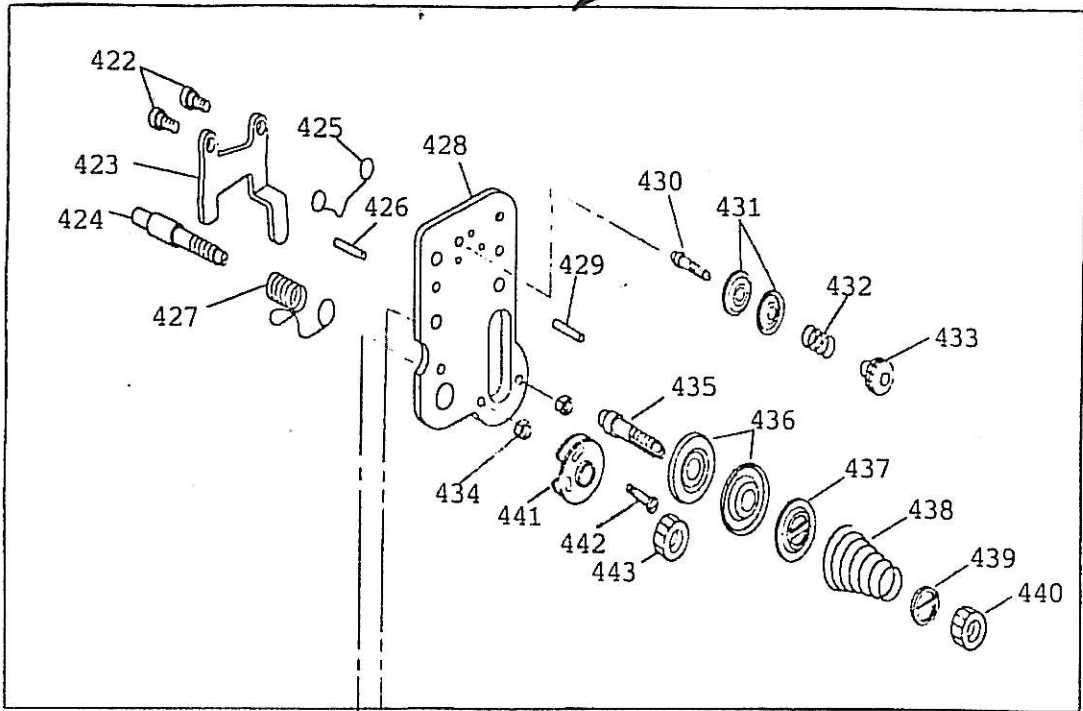
367  
114993



FOR 592



420



421

